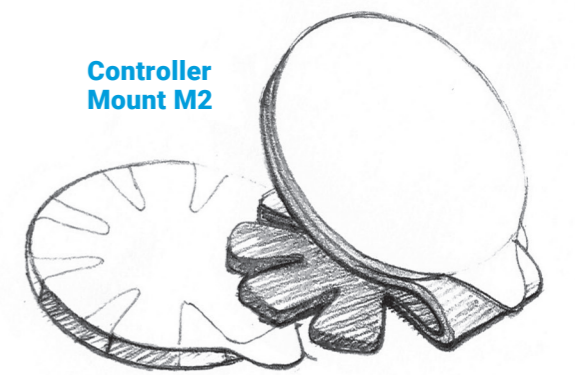
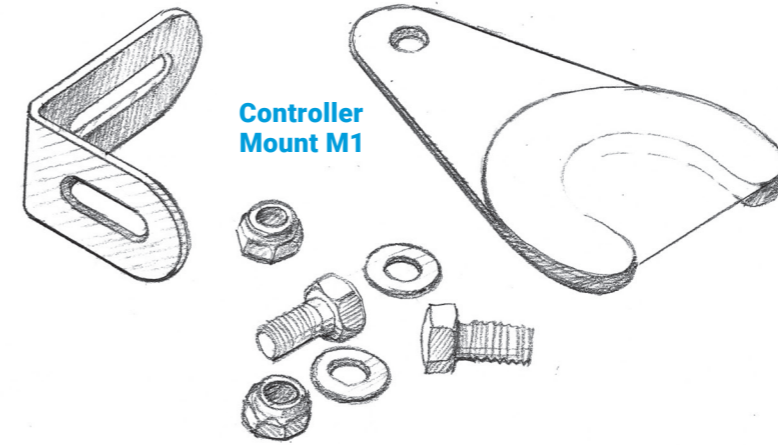
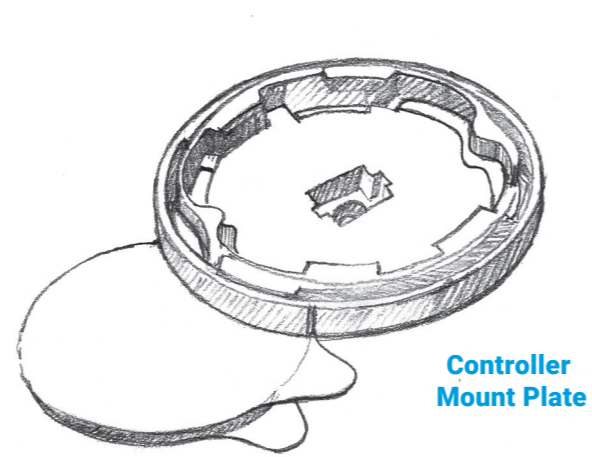
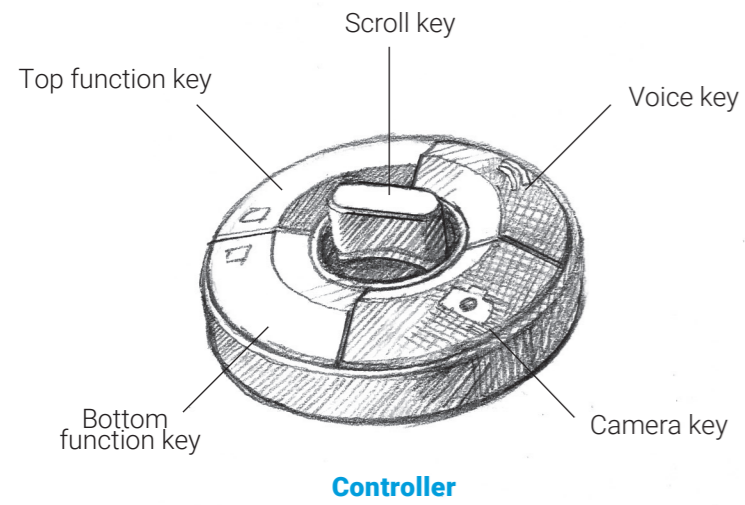
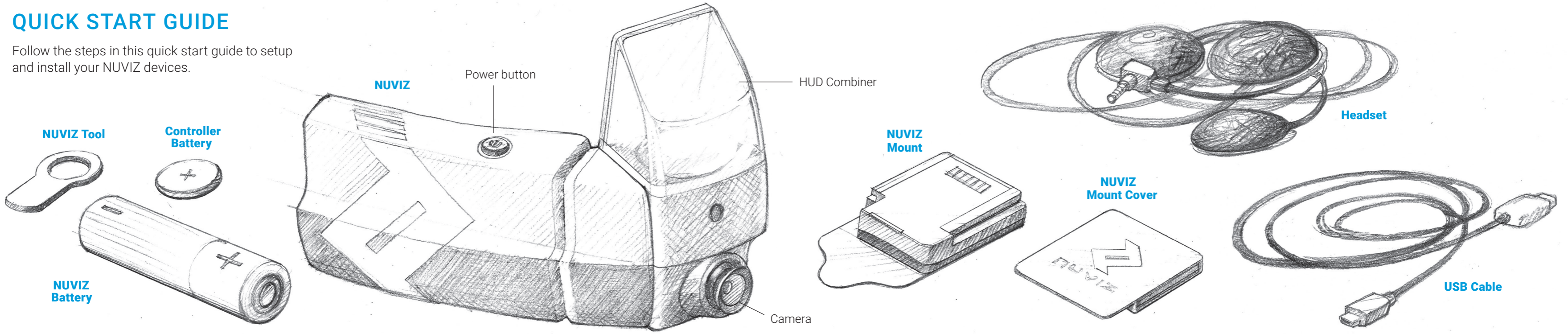
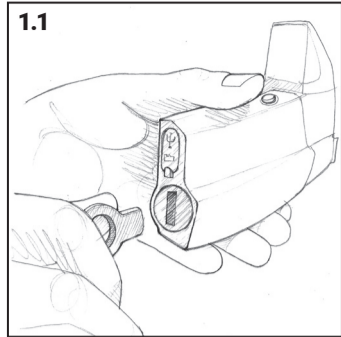


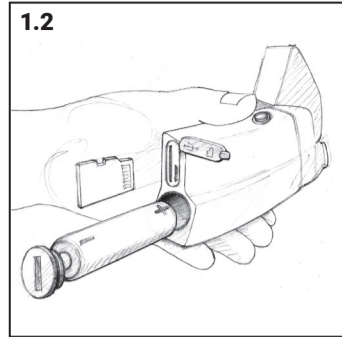
QUICK START GUIDE

Follow the steps in this quick start guide to setup and install your NUVIZ devices.

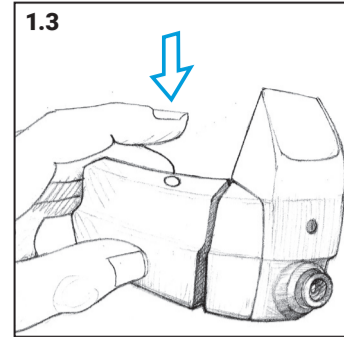


1**NUVIZ SETUP**

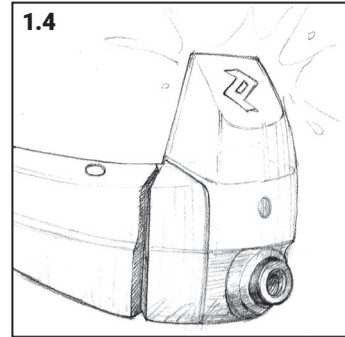
1.1 Open the battery cover of NUVIZ with the tool provided



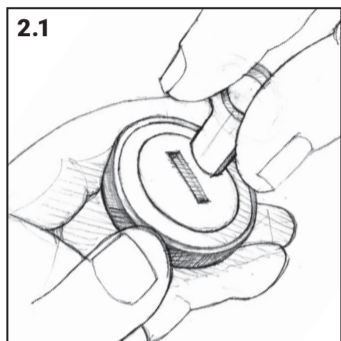
1.2 Insert the battery and a microSD card used for video capture (sold separately)



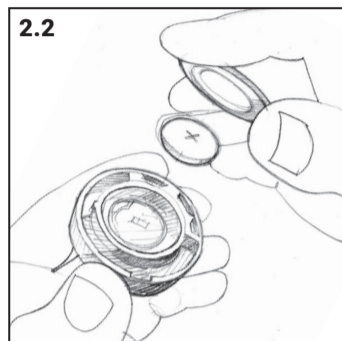
1.3 Press and hold power button for 2-3 seconds to turn on NUVIZ



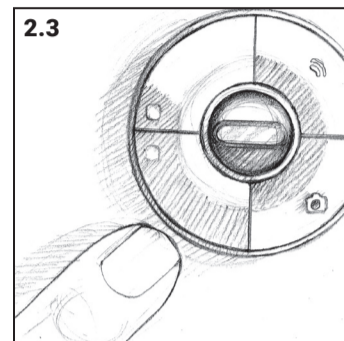
1.4 Display will light up upon successful power up

2**CONTROLLER SETUP**

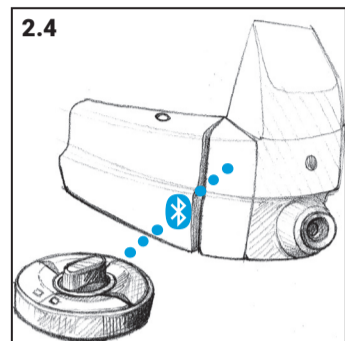
2.1 Open the battery cover of the Controller with the tool provided



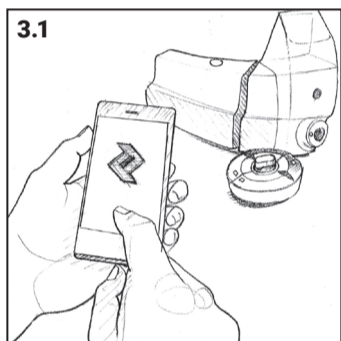
2.2 Insert the battery (CR2032) with the "+" sign facing up as indicated on the Controller



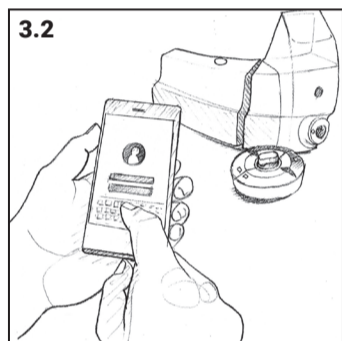
2.3 Press any key to power on and activate the Controller



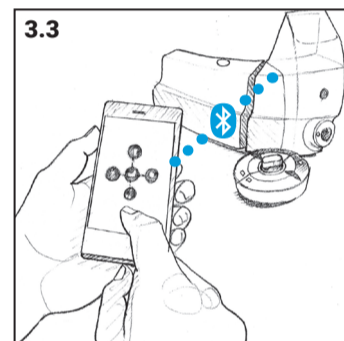
2.4 Pairing starts automatically and status is indicated on the display

3**NUVIZ APP INSTALLATION AND SETUP**

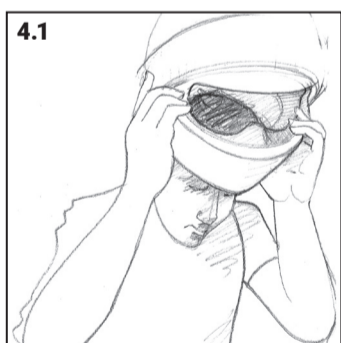
3.1 Download and install the Android/iOS NUVIZ App on your phone or tablet



3.2 Enter a Username/Password to create your NUVIZ account and then sign in



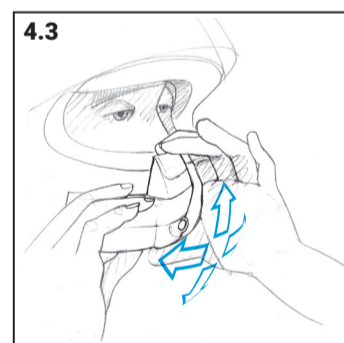
3.3 Follow the on-screen prompts on your phone or tablet to pair your NUVIZ devices

4**HELMET INSTALLATION**

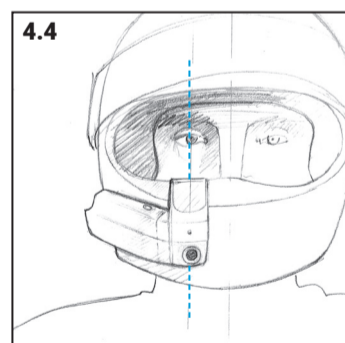
4.1 Wear your helmet to ensure proper positioning of NUVIZ



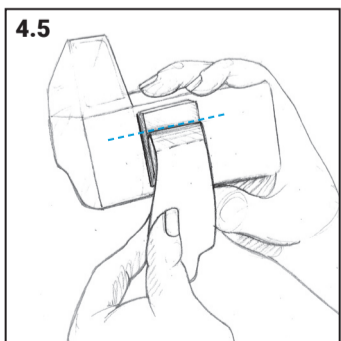
4.2 Use a mirror to place NUVIZ on your helmet



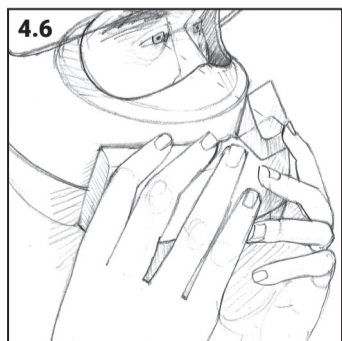
4.3 Adjust the multi-directional hinge to find the optimal viewing angle



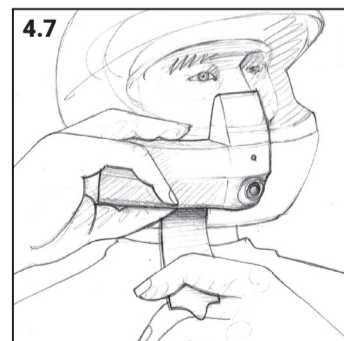
4.4 Align the center of the NUVIZ display with your right eye for optimal position



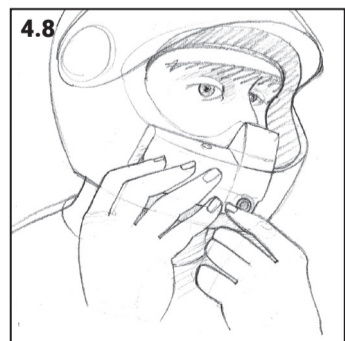
4.5 Find the best position and peel off 1/3 of the backing from the mount base sticker



4.6 Gently press NUVIZ into position and then verify placement

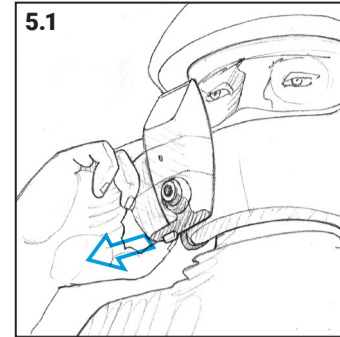


4.7 Remove the remaining backing once the position is verified

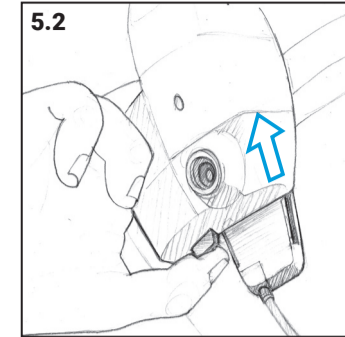


4.8 Hold NUVIZ in place and press firmly onto your helmet for a minimum of 3 minutes

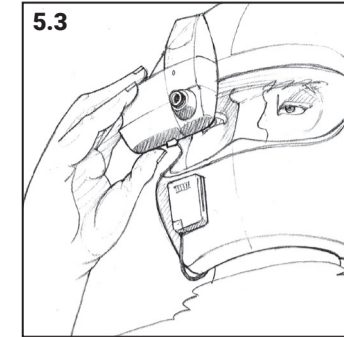
NOTICE: Apply NUVIZ to a clean helmet surface at room temperature. Attach the adhesive mount at least 24 hours before use

5**NUVIZ DETACHMENT**

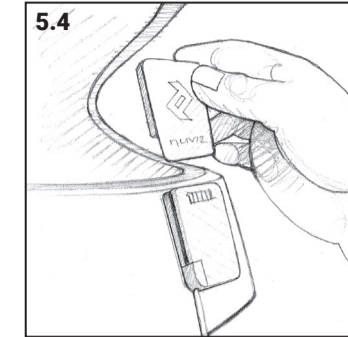
5.1 Activate the release button below NUVIZ to release



5.2 Slide NUVIZ upwards from the mount to remove it from your helmet

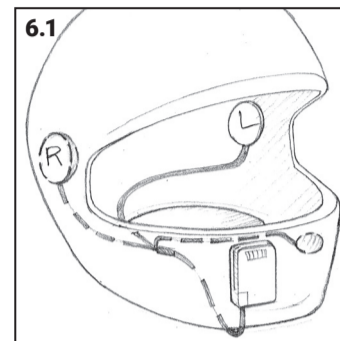


5.3 Continue sliding NUVIZ upwards until fully detached from the mount

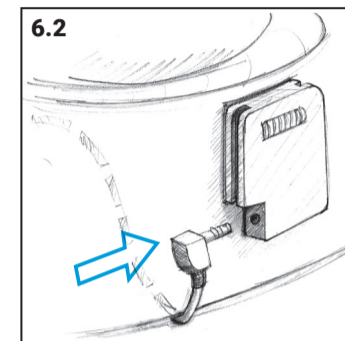


5.4 Slide in the cover to protect the mount when NUVIZ is not in use

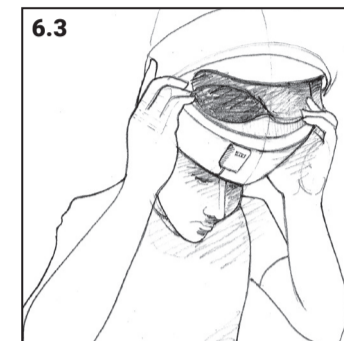
NOTICE: Detach NUVIZ and let the adhesive mount cure at least 24 hours before use

6**HEADSET INSTALLATION**

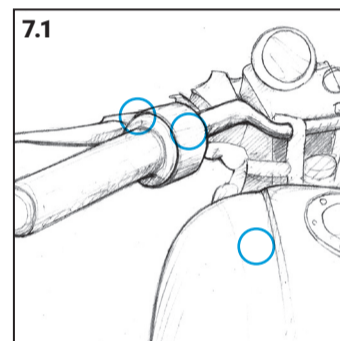
6.1 Install the headset speakers and microphone inside your helmet



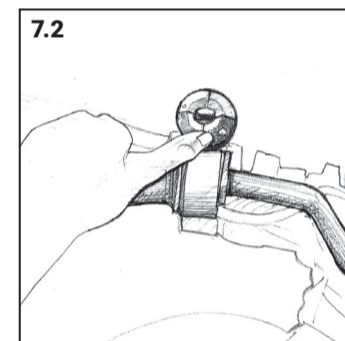
6.2 With NUVIZ detached plug the cable into the headset jack on the mount



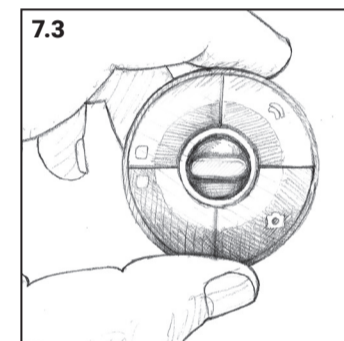
6.3 Test and adjust the position of your headset as necessary

7**CONTROLLER INSTALLATION**

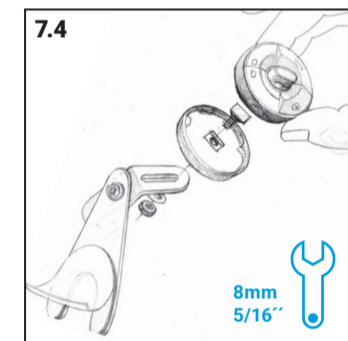
7.1 Select one of multiple locations that the controller can be installed



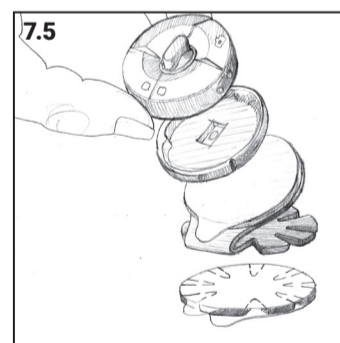
7.2 Position your Controller allowing for easy access with your left hand



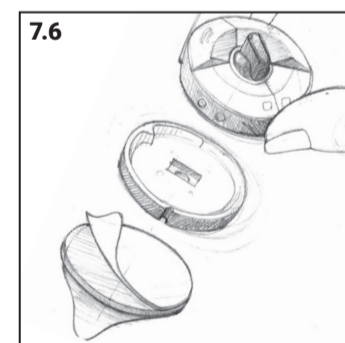
7.3 Verify the orientation of the Controller prior to attachment to your motorcycle



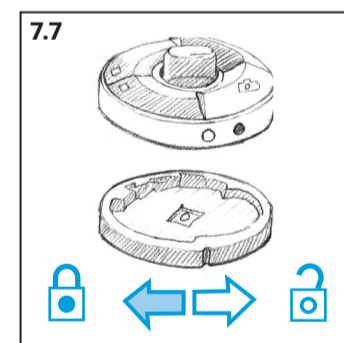
7.4 Mount M1 can be used to attach NUVIZ Controller to a handlebar



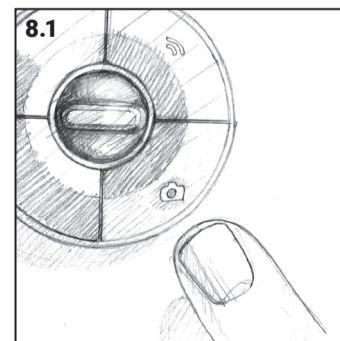
7.5 Mount M2 can be used in other locations. If needed, bend petals before attaching the sticker



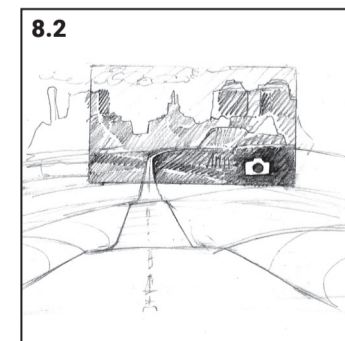
7.6 The Controller can also be attached to a flat surface with just the adhesive pad



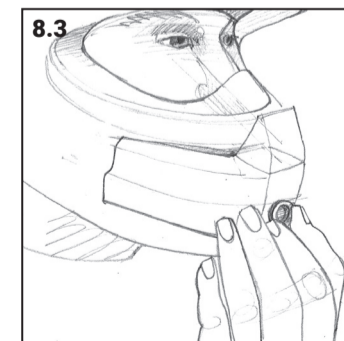
7.7 Note the lock/unlock symbols when attaching or removing the Controller

8**CAMERA ADJUSTMENT**

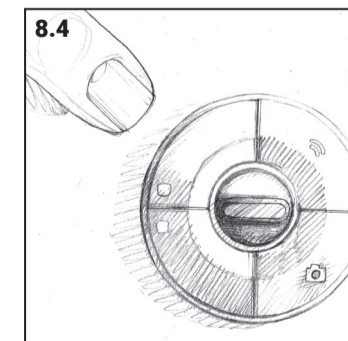
8.1 Press the camera key on the Controller to activate the viewfinder



8.2 The camera viewfinder is visible on the NUVIZ display



8.3 Press the plastic lens collar to adjust the view as desired



8.4 Press the top function key to exit the camera viewfinder

Copyright © 2017 NUVIZ, Inc. All rights reserved. The information provided in this document is intended for informational purposes only and is subject to change without notice. NUVIZ reserves the right to change or improve its products and to make changes in the documentation without notifying any person or organization of such changes or improvements. Visit the NUVIZ website for updates and supplemental information concerning the use and operation of NUVIZ products.

The NUVIZ User Guide is available online www.rideNUVIZ.com/support